

Programmable Timing Relays – Series SSF Universal Timers



DESIGN FEATURES

- ◆ 4 user-selectable operating modes
- ◆ Timing range from 0.1 sec to 10 hrs
- ◆ Parameters set with recessed screwdriver dials
- ◆ Universal voltage through selection of appropriate plug-in relay
- ◆ 10A DPDT replaceable output relay
- ◆ DIN rail, surface, or Machine Tool track mounting
- ◆ Front screw terminals
- ◆ Replaceable relay minimizes downtime

SPECIFICATIONS

Operating Modes: User-selectable timing modes:

- On-Delay Interval
- Off-Delay Latching Interval

Selection by screwdriver adjustment; Recessed 4-position selector dial.

Timing Adjustment: Recessed potentiometer adjustment with reference calibrations.

Timing Ranges: Eight user-selectable timing ranges:

- .1-3 sec. 4-120 sec. 2-60 min.
- .33-10 sec. .33-10 min. .33-10 hrs
- 1-30 sec. 1-30 min.

Select by screwdriver adjustment; Recessed 8-position selector dial.

Accuracy: Repeat Accuracy: $\pm 1\% \pm 10\text{msec}$
Overall Accuracy: $\pm 3\% \pm 10\text{msec}$

Reset Time (All Modes): 30 msec

Relay Release Time: Types On-Delay and Interval, 30 msec.

Relay Operate Time: Types Off-Delay, Interval, and Latching Interval; 30 msec (with factory installed relay)

Operating Voltage: User-selectable, refer to Ordering Information.

Transient Protection: Non-repetitive transients of the following magnitudes will not cause spurious operation or affect function and accuracy

Transient Duration:

Operating Voltage	<0.1 msec	<1 msec
24,48VAC/DC	1000 Volts	480 Volts
120,240VAC/DC	3000 Volts	2500 Volts*

* Minimum source impedance of 100 ohm @ 120/240VAC, 3000V <0.1 ,sec.

Output: DPDT Relay; 10 Amps Resistive, 28 VDC/120 VAC; 1/3 HP, 120/240 VAC 345 VA

Life: (With factory installed relay)

- Electrical: 500,000 operations at rated resistive load
- Mechanical: 10,000,000 operations

Dielectric: 1500VAC for a duration of one minute between coil/control switch and contacts.

Temperature Range:

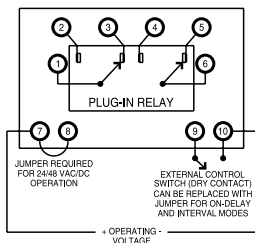
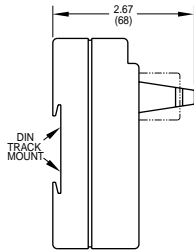
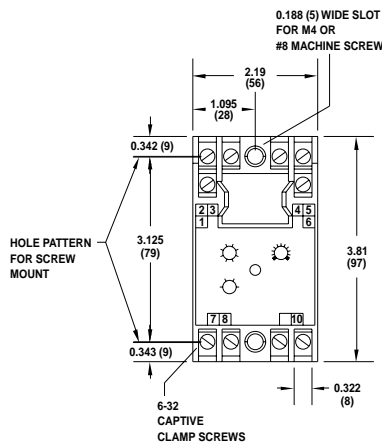
Operating: -22°F to +149°F (-30°C to +65°C)

Storage: -40°F to +185°F (-40°C to +85°C)

Mounting/Terminals: Surface, DIN rail, Machine Tool relay track mounting case with screw terminals.

Power Consumption: 2 watts

Approximate Net Weight: 5.5 ozs. (156 grams)



ORDERING INFORMATION

SSF	R	90	A
Series SSF Universal Timer	R -	Operating Mode 90 - Multi-modes On-Delay Off-Delay Interval Latching Interval	Operating Voltage (+10%, -15%) A - 120 VAC 50/60 Hz B - 240 VAC 50/60 Hz E - 24 VAC 50/60 Hz F - 48 VAC 50/60 Hz N - 48 VDC O - 24 VDC P - 125 VDC X - Without factory installed relay. Voltage determined by customer supplied relay. Only lists that operate on the above listed nominal voltages should be used. Timer operation using other relay voltages is not recommended.

